

Shaving Brush Project

Instructions for brushes with 20 mm dia base.

The brush can be mounted in the handle either directly or using a the decor cup insert.

Required Accessories

- Shaving Brush Knot: PKRABRX
- Bottletopper Chuck System: #PKBSYST includes 5/16" drill bit, Tap Set, and Stopper Chuck
- Drill Bit: 13/16" (not using decor cup) : #KSEG-DB
7/8" (using decor cup): #FB78
- Thin CA (recommended to stabilize tapped threads) #PKGLUE51
- Live Tailstock with point
- 2 part Epoxy
- Blank Minimum Size: 2" x 2" x 2"

Brush shown with optional stand & decor cup



Diagram 1 - Without Decor Cup

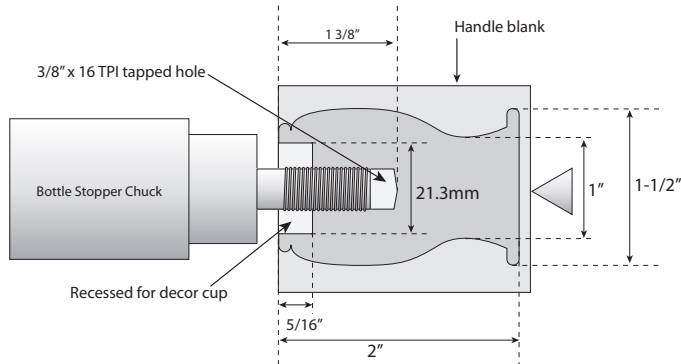
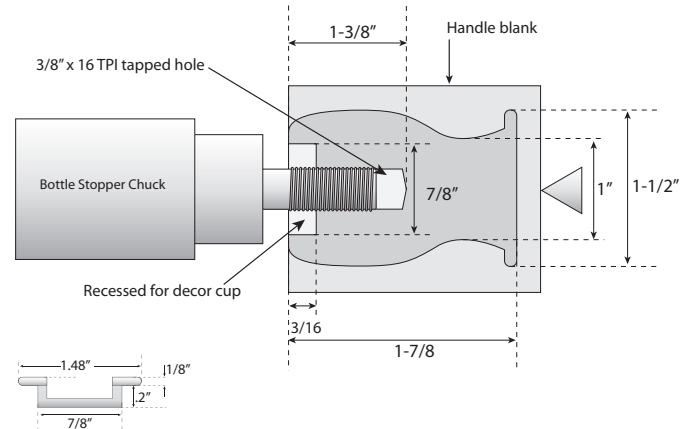


Diagram 2 - With Decor Cup



Turning the Blanks

- Mark center of blank and drill hole for brush.
If not using decor cup, drill 13/16" dia. hole (#KSEG-DB) 5/16" deep.
If using decor cup, drill 7/8" dia. hole (#FB78) 3/16" deep.
- Use 5/16" drill bit from Stopper System to drill a pilot hole to a depth of 1-3/8" from end. This depth allows tap threads to reach full size.
- Insert Tap and turn clockwise to thread the hole. Twist in and out several times to ensure good threads.
- Drip Thin CA into hole and rotate blank to let it soak into threads and limit breakage. Let CA cure fully before inserting anything into the hole. Use to tap to clean out any dried glue buildup.
- Mount Bottle Stopper Chuck onto lathe and thread blank onto Chuck.
- Bring Tailstock in for support.
- Turn wood down according to diagram or to profile of your choice.
- If using stand, make sure the handle will fit onto stand.
- Finish with water resistant wood sealer of your choice.
- Remove Handle from Chuck. Using 2 Part Epoxy, glue Brush Knot into handle. If using decor cup, glue in the cup and Brush.

Diagram 3
Brush

